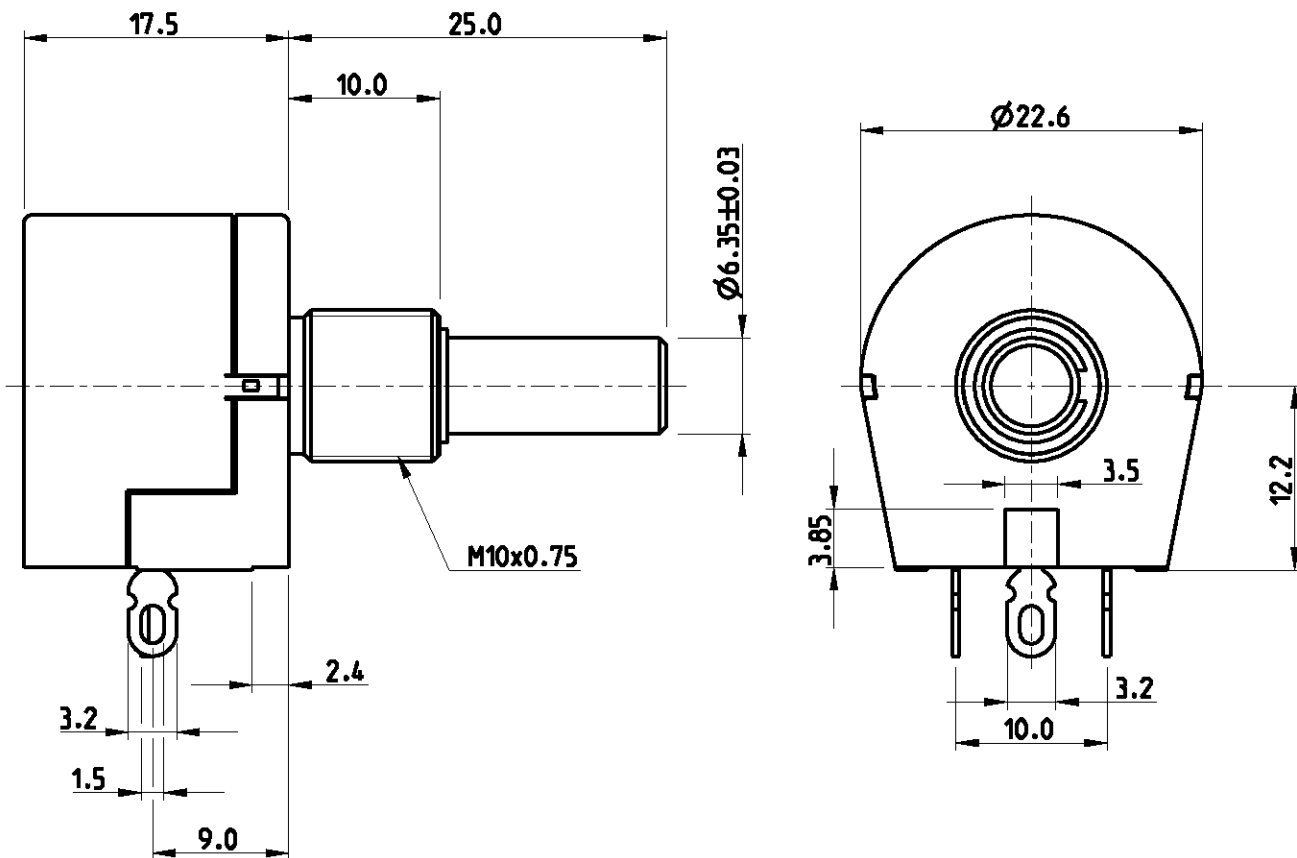
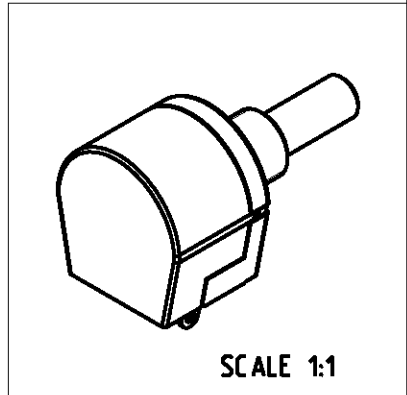


LOC	DIST	REVISIONS					
E	B	P	LTR	DESCRIPTION	DATE	DWN	APVD
		A1		REVISED PER ECO-11-005150	28APR11	RK	HMR



RoHS Compliant



FOR FURTHER INFORMATION SEE DATA SHEET FOR SERIES TW - WIRE WOUND SPINDLE OPERATED POTENTIOMETER

2009

RELEASED FOR PUBLICATION

ALL RIGHTS RESERVED.

BY

COPYRIGHT

DIMENSIONS:	DWN	08-JAN-09	MATERIAL	-	FINISH	-
mm	CHK	08-JAN-09				
TOLERANCES UNLESS OTHERWISE SPECIFIED:	APVD	08-JAN-09				
0 PLC	±0.2	PRODUCT SPEC	NAME			
1 PLC	±0.1	-	WIRE WOUND SPINDLE OPERATED POTENTIOMETER			
2 PLC	±	APPLICATION SPEC	SERIES TW			
3 PLC	±	-	SIZE	CAGE CODE	DRAWING NO	RESTRICTED TO
4 PLC	±	-	A 4	00779	C-1676979	-
ANGLES	±5°	WEIGHT	CUSTOMER DRAWING			
		SCALE		2:1	SHEET	1 OF 1
		REV		A1		